

## PRODUCT INFORMATION

### Junckers Hexparket

#### Hexparket

Junckers Hexparket is produced as untreated hexagonal tiles composed of 3 separate pieces, Fig. 2.

Each tile is provided with a groove on all sides. Included loose tongues, 180 mm of length, ready for installation.

#### Nominal Board Dimensions:

Thickness: 20.5 mm ( $\pm 0.2$  mm) Size: 370 x 370 x 370 mm ( $\pm 0.2$  mm)

#### Drying Methods:

Kiln dried.

#### Moisture Content:

Oak: 8 % ( $\pm 2$  %)

Black Oak: 9% ( $\pm 2$  %)

#### Precision Engineering:

Landing Deviation: 0.4 mm.

## PRODUCT RANGE

Wood Species	Tile size [mm]	Grade	Surface	Features
Oak	20.5 x 370 x 370 x 370	Harmony	Untreated	-
Black Oak				

## TECHNICAL PROPERTIES

Resistance to Indentation	Oak 3.4 Hardness Brinell
Fire Classification	C <sub>fl</sub> – S <sub>1</sub> (DIN EN 13501-1: 2002)
Thermal Conduction: (Transmission Coefficient)	Approx. 0,17 W/mK
Heat Resistance	20.5 mm: Approx. 0.12 m <sup>2</sup> K/W
Surface	Untreated: Final sanding to grit 150.

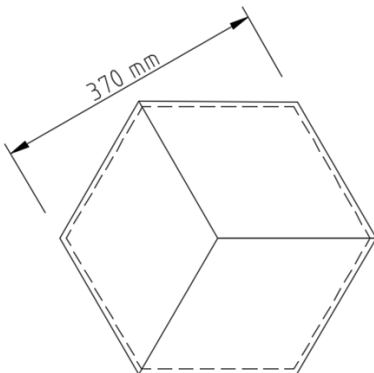


Fig. 2

## PACKING AND WEIGHT

Tiles wrapped in polythene.

Tiles / m <sup>2</sup>	Tiles / pack	m <sup>2</sup> / pack	Kg / pack
8.44	8	0.95	14